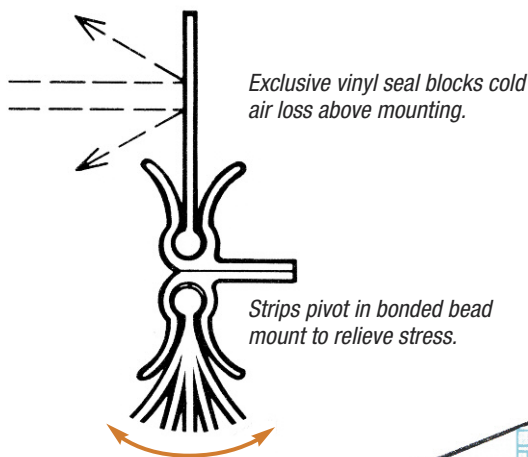


Simplex AirBlock™ Reefer Truck Curtains

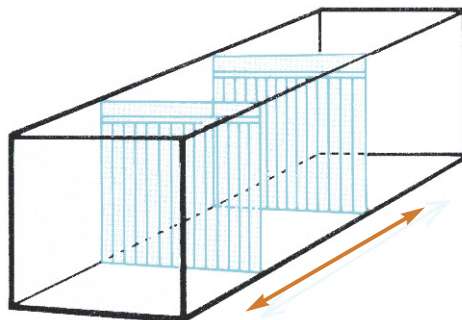
Keeps Cold Air In, Hot Air Out!



Protect your product and profits by installing AirBlock on your trucks.



Use additional side brackets to move curtains back, reducing refrigerated space as the truck load lightens.



Benefits

- AirBlock can pay for itself in just a few days.
- Eliminates loss of cold air every time driver opens the main door at his stops.
- Run time of reefer is cut by as much as 50%, reducing fuel bills and maintenance costs.
- AirBlock Reefer Curtains maintain desired temperatures to within a few degrees, even under continuous use in the hottest weather.
- Prevents partial thawing of frozen goods, reduces shrinkage of produce, and preserves freshness of dairy products.

Features

- Flexible vinyl strips are UV stabilized so they won't yellow, crack, or curl. Available in two different temperature ranges, one for coolers and one with reinforced cords for freezers.
- Strips are clear as glass, allowing full visibility for safe and easy loading and unloading.
- AirBlock Reefer Truck Curtains can also be used for refrigerated box cars.
- Strong, patented aluminum mounting and bonded bead strips are designed to withstand repeated passage of pallets, forklifts and personnel.
- Side mount brackets for roll-up doors also allow you to easily remove AirBlock curtain for fast loading of truck or trailer by simply pulling two pins and lifting curtain off of mounting brackets. Extra brackets can be installed at different intervals in the trailer so driver can move curtain back as loads get smaller, eliminating the need to refrigerate empty space.
- Strips, if damaged, are individually replaceable without tools.
- Installs quickly and comes with all necessary hardware.
- ArmorBond strips ("Model 808-2) are warranted against tearing at the first three inches of the strip where it connects to the Simplex mounting.
- Two standard models to choose from. Model #606 (60 mil thick) or #808 (80 mil thick) with your choice of 1" or 2" overlap.



1.800.854.7951
www.simplexisolationssystem.com

*Manufactured by Simplex Strip Doors, Inc.
All materials and specifications subject to change without notice.*

606 SERIES

MODEL 606-1 &
MODEL 606-2
(60 mil thick)

- 6" wide strips, .060" thick (1/16") 1" or 2" overlap.
- Use for light-duty applications (pedestrians and handcarts) on rear walk-in doors or side doors on trucks.
- Light-weight strips are easy to work thru.
- Extremely durable, lasts for years.
- Use the 606-1 Model, with 1" overlap on most light-traffic, medium-temperature applications and side doors.
- Use the 606-2 Model with 2" overlap for light-traffic, medium or low-temp applications. 2" overlap offers better protection against air loss in windy or high temperature areas.

808 SERIES

MODEL 808-2
(80 mil thick)



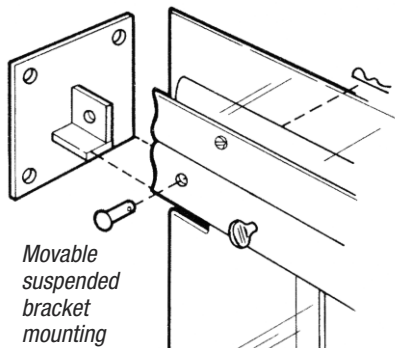
- 8" wide strips, .080" thick (3/32"), 2" overlap.
- Most commonly used model. Offers excellent protection against air loss. The heavier, wider strips provide the best protection in windy conditions or heavily used doors.
- Extremely durable, even under repeated loading with pallet jacks and fork lifts.
- Good for all rear and side doors.
- Can also be used for refrigerated boxcars.
- The 808 Series strips use the Simplex Armor-Bond design. Armor-Bond strips are guaranteed for life against tearing at the first three inches of the strip where it connects to the Simplex mount.

Two Types of Material to Choose From:

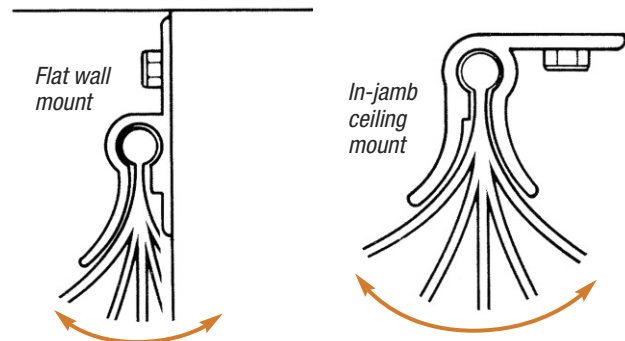
- Standard material for medium temperature, cooler applications. Temperature range of 0° to 150°.
- Low Temp, USDA grade for freezer applications. Strips have reinforced cords for extra strength. Temperature range of -30° to 140°.

Three Types of Mounting Hardware:

- Flat wall mount for side doors or rear doors with swing-out main doors for permanent installations. Best if installed 3" to 6" above the door jamb.
- Suspended bracket system for rear doors allows you to install a curtain without interfering with roll up type overhead doors. This system also allows you to move or remove the curtain during loading if desired.
- In-jamb mount can be attached to the ceiling for swing-out door applications that do not have enough room above the door for the Flat Wall mount.



Movable suspended bracket mounting
Exclusive 4" vinyl flap on top stops cold air loss above mounting.



Flat wall mount
In-jamb ceiling mount
Bonded bead design allows strips to flex for extra long life and easy pass-thru.

For additional information contact your nearest Simplex representative or call:



Simplex Isolation Systems: a division of TMI, LLC
14500 Miller Ave. | Fontana, CA 92336 | 909-429-0117
Toll-Free: 800-854-7951 | Fax: 909-429-0217 | info@simplexis.net

All AirBlock™ vinyl and hardware components are proudly designed and manufactured in the USA.

www.simplexisolationssystem.com

TRUCURT 102-10-1000